

Refrigerated Prep Tables

▪ 3 sizes ▪



FEATURES

- Stainless steel exterior
- Insulated stainless steel lids
- Coated aluminum interior
- Adjustable epoxy coated shelves
- Removeable cutting boards
- Self-closing door stays open at 90°
- Pans are air cooled from the bottom
- Heavy duty casters and recessed handles
- Dixell digital controller with automatic defrost programming
- ETL Listed and conforms to NSF Std. 7
- Standard 15 amp plug



WARRANTY



+

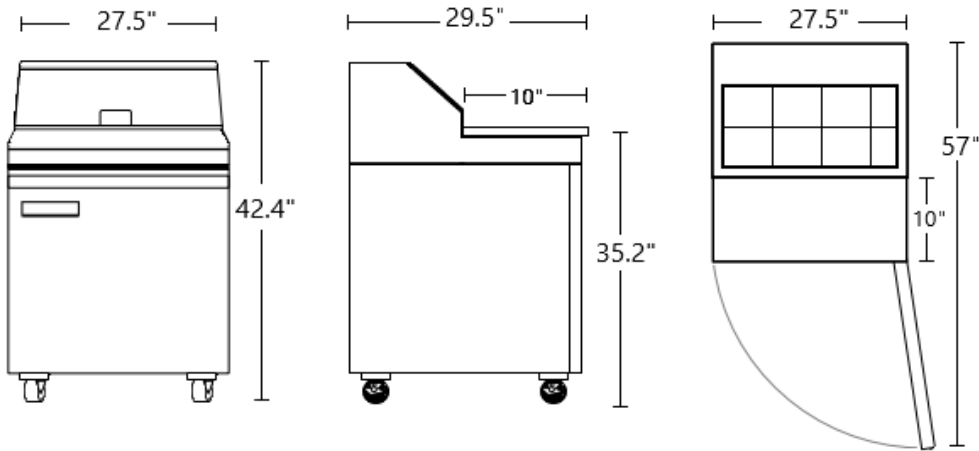


Parts & Labor

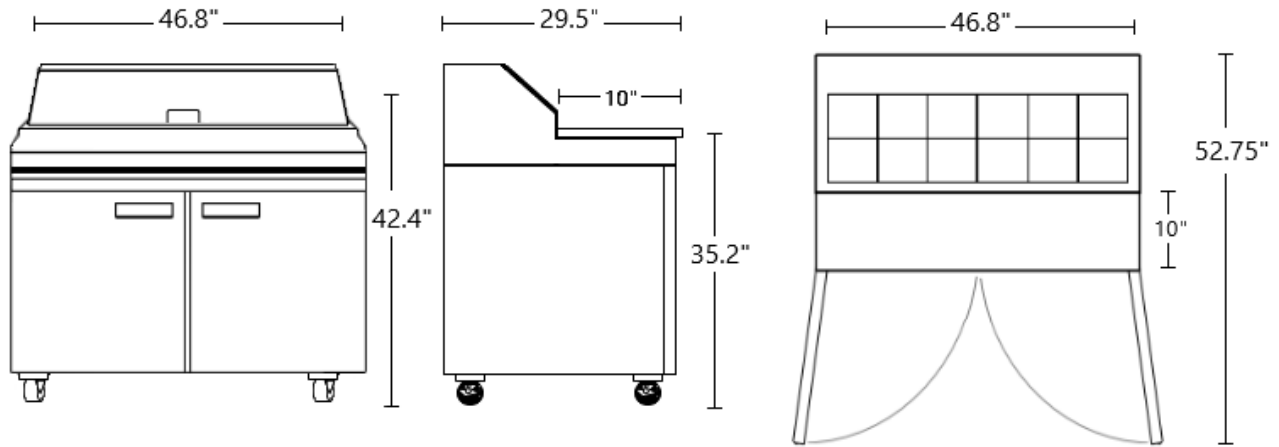
Compressor
part only

Model	Doors	6" Deep Pan Capacity	HP	Amps	Volume	Width	Depth	Height
IM27RP	1	(6) 1/6 and (2) 1/9	1/5	2.88	5.7 Cu. Ft	Ext: 27.5" Int: 24"	Ext: 29.5" Int: 23.75"	Ext: 42.4" Int: 23.5"
IM48RP2	2	(12) 1/6	1/4	4.56	9.5 Cu. Ft	Ext: 46.8" Int: 35.25"	Ext: 29.5" Int: 23.75"	Ext: 42.4" Int: 23.5"
IM72PP2	2	(9) 1/3	1/5	3.42	16.9 Cu. Ft	Ext: 70.9" Int: 48.4"	Ext: 31.5" Int: 22.9"	Ext: 42.9" Int: 26.1"

IM27RP



IM48RP2



IM72PP2

